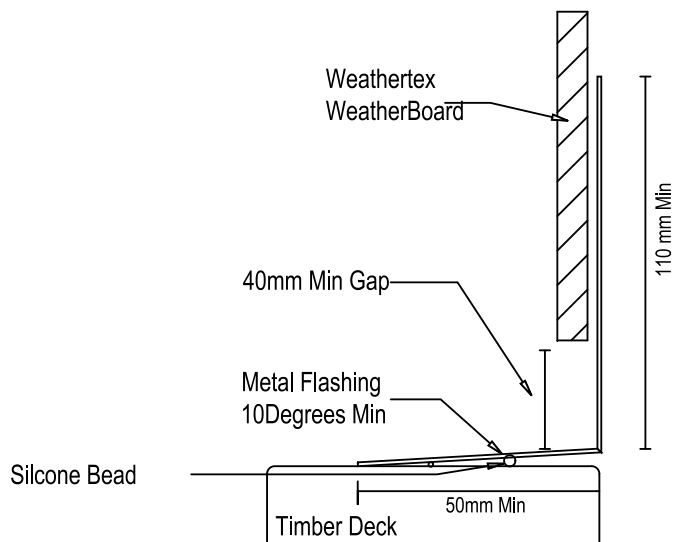
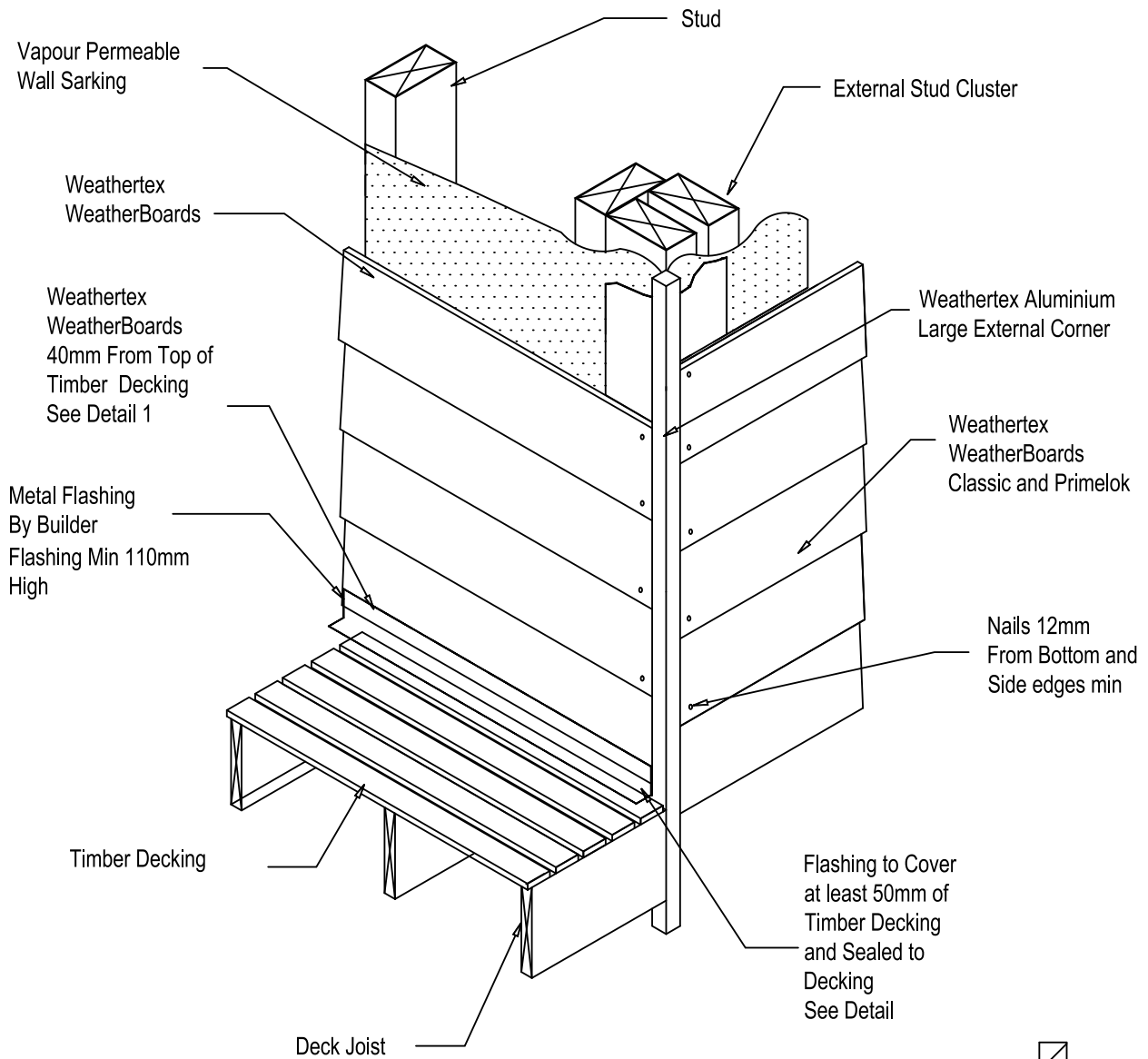


WALL TO TIMBER DECK



DETAIL 1

WEATHERTEX

Project Description
WBDF-14

Drawing Name
WALL TO TIMBER DECK

**WeatherBoards
Direct Fix Construction**

Drawn By
Craig Harvey

Checked By
Dave Simpson

Date
01-05-2013

Scale
NTS

Amn No
A