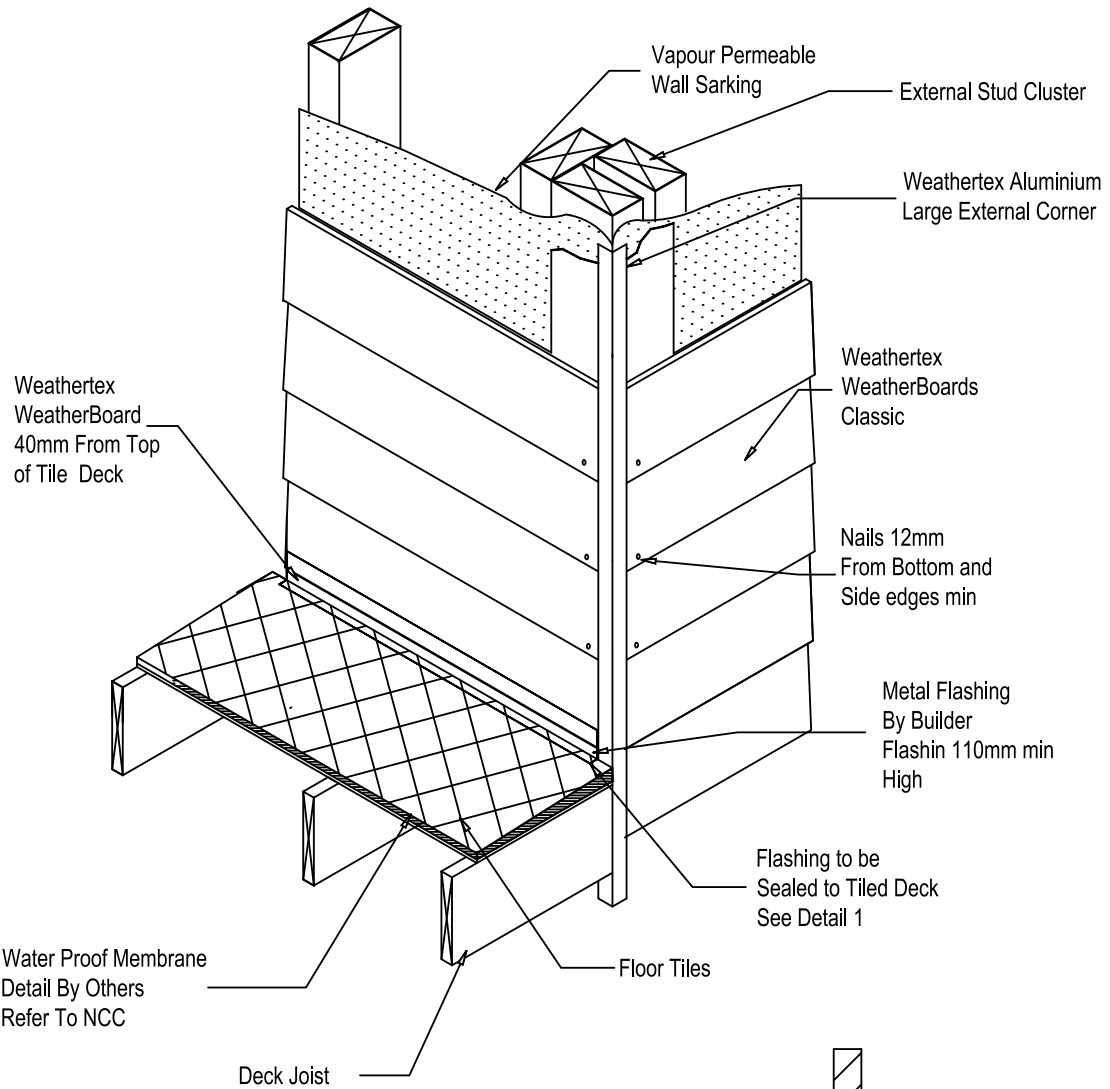


WEATHERTEX WALL TO TILE DECK



Water Proof Membrane
Detail By Others
Refer To NCC

Weathertex
WeatherBoard
40mm From Top
of Tile Deck

Vapour Permeable
Wall Sarking

External Stud Cluster

Weathertex Aluminium
Large External Corner

Weathertex
WeatherBoards
Classic

Nails 12mm
From Bottom and
Side edges min

Metal Flashing
By Builder
Flashin 110mm min
High

Flashing to be
Sealed to Tiled Deck
See Detail 1

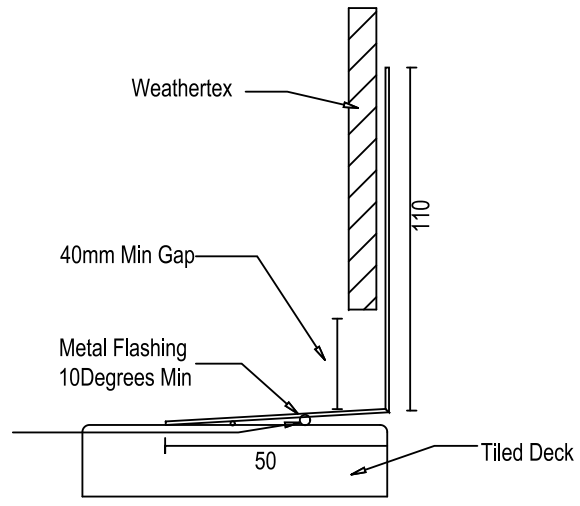
Floor Tiles

Deck Joist

WEATHERTEX PROFILES

- Primelok 200
- Shadowood
- Braidwood
- Federation

Silcone Bead



DETAIL 1

WEATHERTEX	Project Description		Drawing Name		
	WBDF-15		WALL TO TILE DECK		
WeatherBoards Direct Fix Construction	Drawn By	Checked By	Date	Scale	Amm No
	Craig Harvey	Dave Simpson	23-01-2009	NTS	A