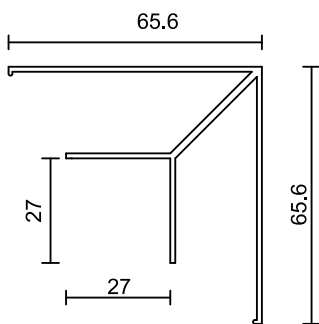
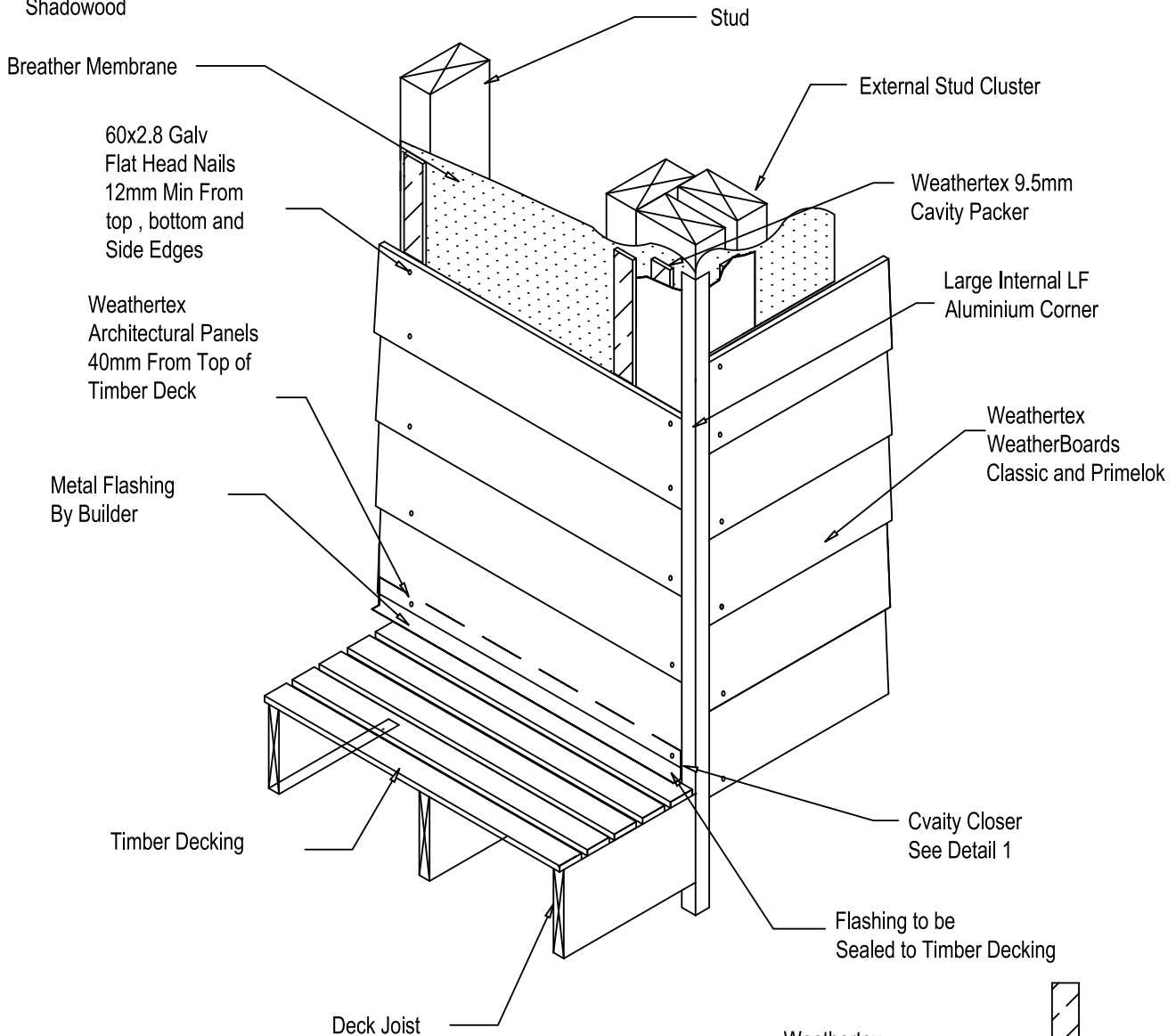


WeatherTex Products

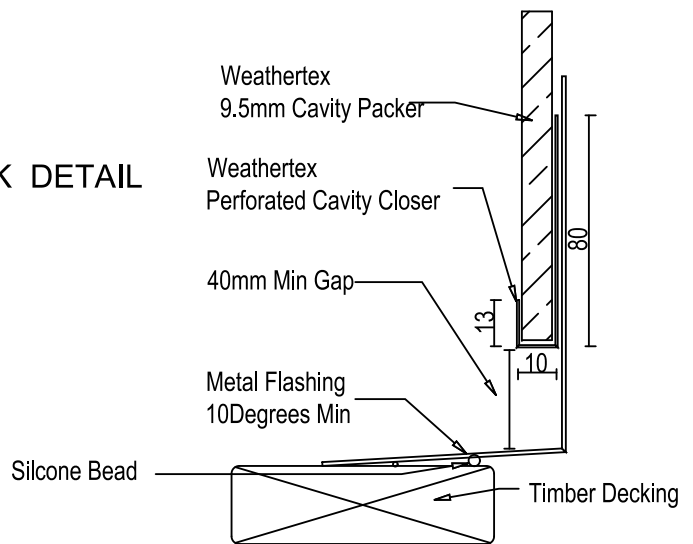
Primelok Classic 200  
 Rusticated  
 Braidwood  
 Federation  
 Shadowood

# WALL TO TIMBER DECK



**Large Internal LF Aluminium Corner**

## WALL TO DECK DETAIL



**DETAIL 1**

**WEATHERTEX**

Project Description  
**WBCF-14**

Drawing Name  
**WALL TO TIMBER DECK**

**WeatherBoards  
 Cavity Fix Construction**

Drawn By  
 Craig Harvey

Checked By  
 Dave Simpson

Date  
**06-05-2013**

Scale  
**NTS**

Am No  
**A**