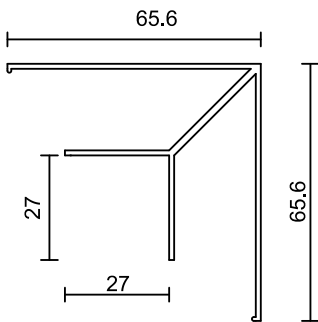
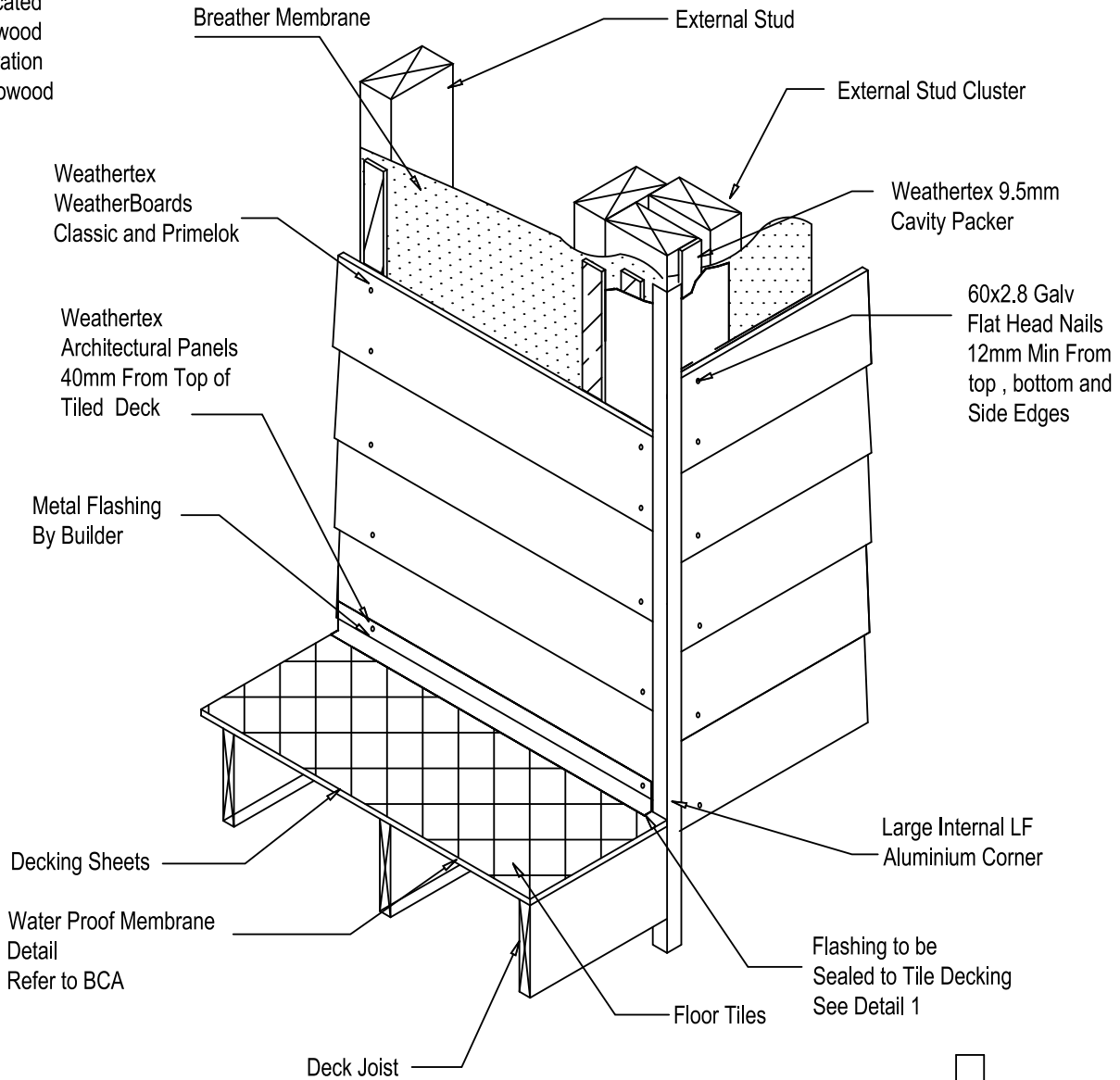


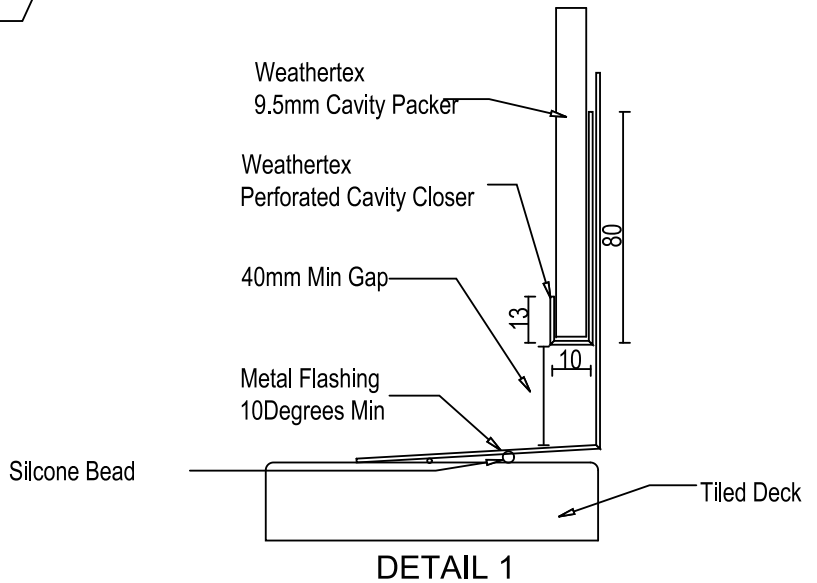
WeatherTex Products

Primelok Classic 200
Rusticated
Braidwood
Federation
Shadowood

WALL TO TILED DECK



**Large Internal LF
Aluminium Corner**



DETAIL 1

WEATHERTEX

Project Description
WBCF-15

Drawing Name
WALL TO TILED DECK

**WeatherBoards
Cavity Fix Construction**

Drawn By
Craig Harvey

Checked By
Dave Simpson

Date
06-05-2013

Scale
NTS

Amm No
A