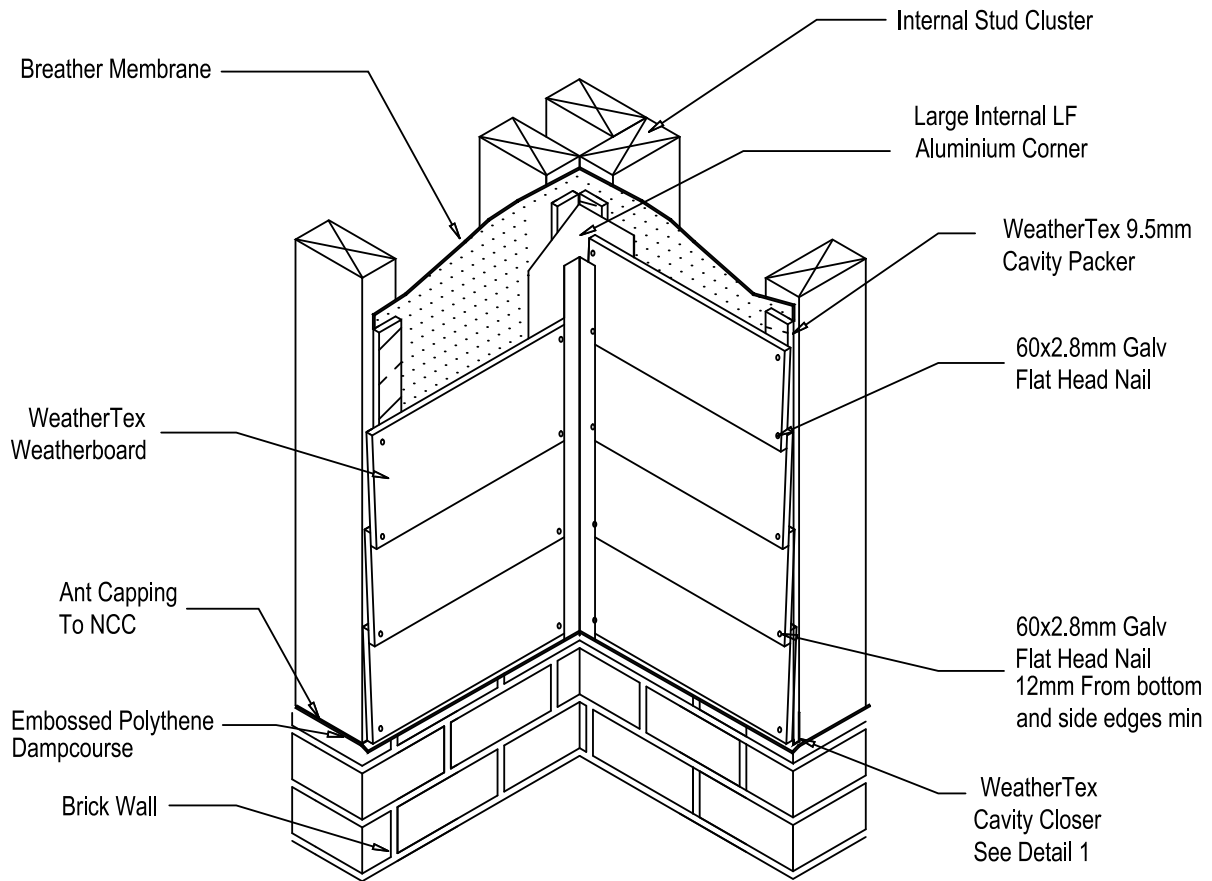
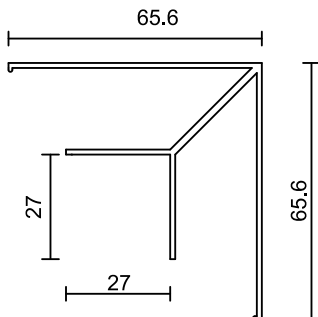


Weathertex Products
 Primelok Classic 200
 Rusticated
 Braidwood
 Federation
 Shadowood

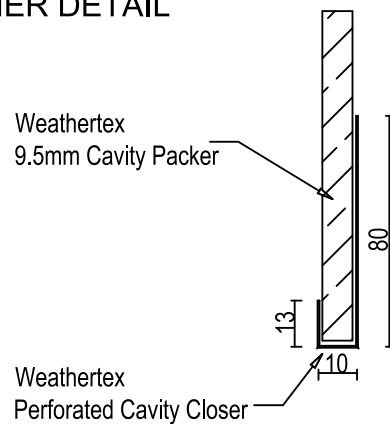
TRIMTEC LARGE INTERNAL LF ALUMINIUM CORNER



INTERNAL CORNER DETAIL



Large Internal LF Aluminium Corner



Detail 1

WEATHERTEX

**WeatherBoards
Cavity Fix Construction**

Project Description
WBCF-5

Drawn By
Craig Harvey

Checked By
Dave Simpson

Drawing Name
Large Internal LF
Aluminium Corner

Date
06-05-2013

Scale
NTS

Amm No
A