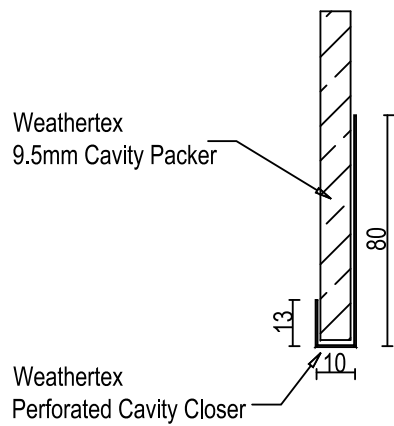
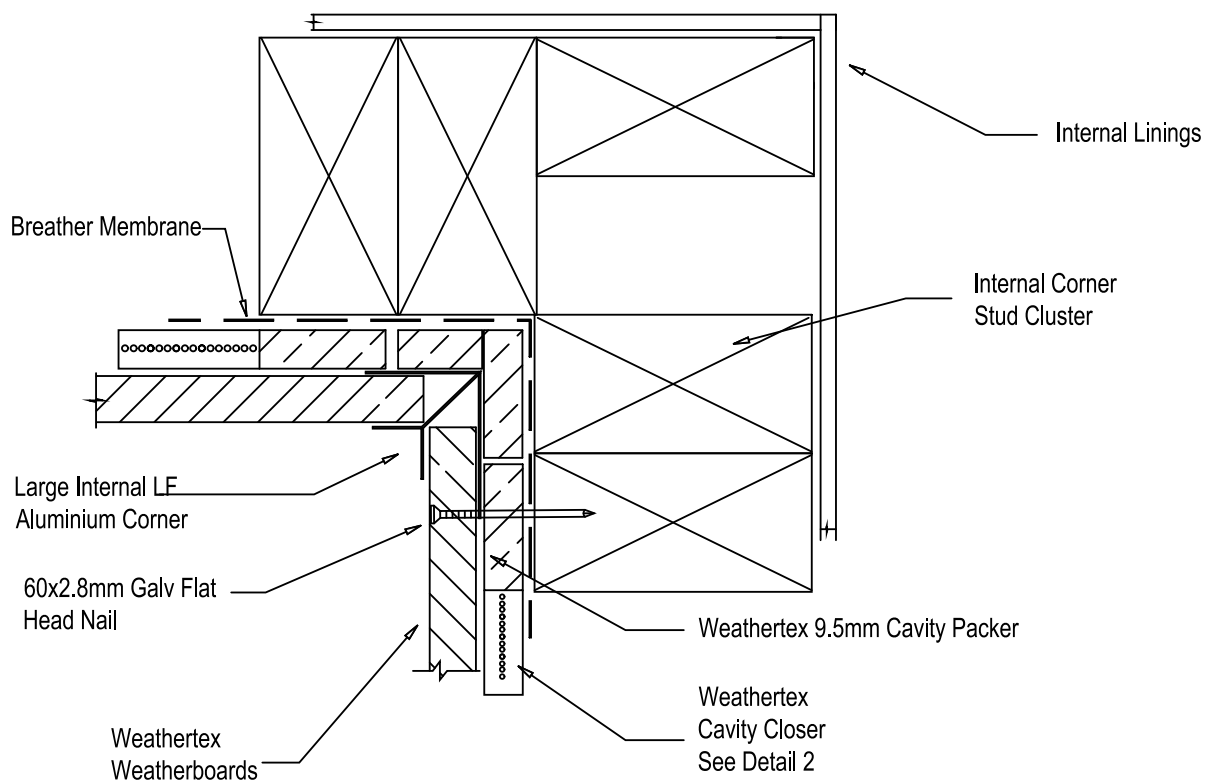
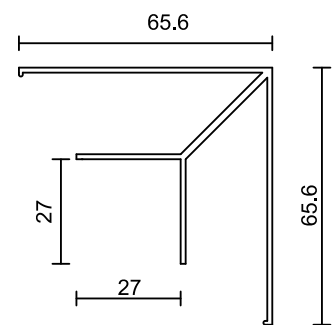


Weathertex Products  
 Primelok Classic 200  
 Rusticated  
 Braidwood  
 Federation  
 Shadowood

# TRIMTEC LARGE INTERNAL LF ALUMINIUM CORNER



**Detail 2**



**Large Internal LF Aluminium Corner**

**WEATHERTEX**

Project Description  
**WBCF-6**

Drawing Name  
**Large Internal LF Aluminium Corner**

**WeatherBoards**  
**Cavity Fix Construction**

Drawn By  
 Craig Harvey

Checked By  
 Dave Simpson

Date  
**06-05-2013**

Scale  
**NTS**

Amm No  
**A**