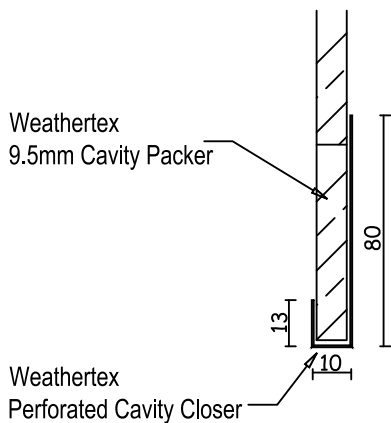
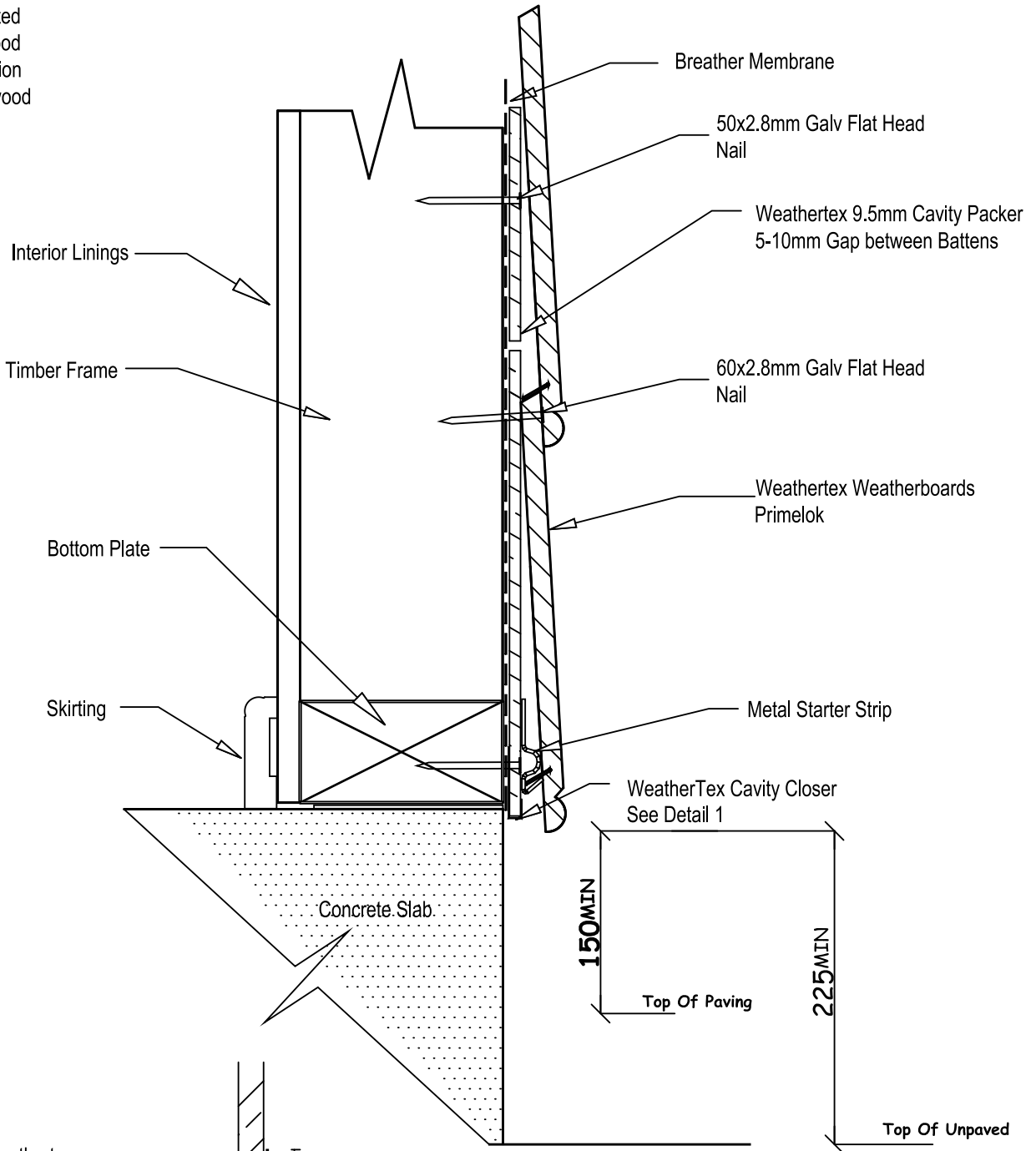


WeatherTex Products

Primelok Classic 200
 Rusticated
 Braidwood
 Federation
 Shadowood

GROUND CLEARANCES



Detail 1

Bottom Plate Wall Ground Clearances Section

WEATHERTEX

Project Description

WBCF-1

Drawing Name

GROUND CLEARANCES

**WeatherBoards
 Cavity Fix Construction**

Drawn By
 Craig Harvey

Checked By
 Dave Simpson

Date

06-05-2013

Scale

NTS

Am No

A