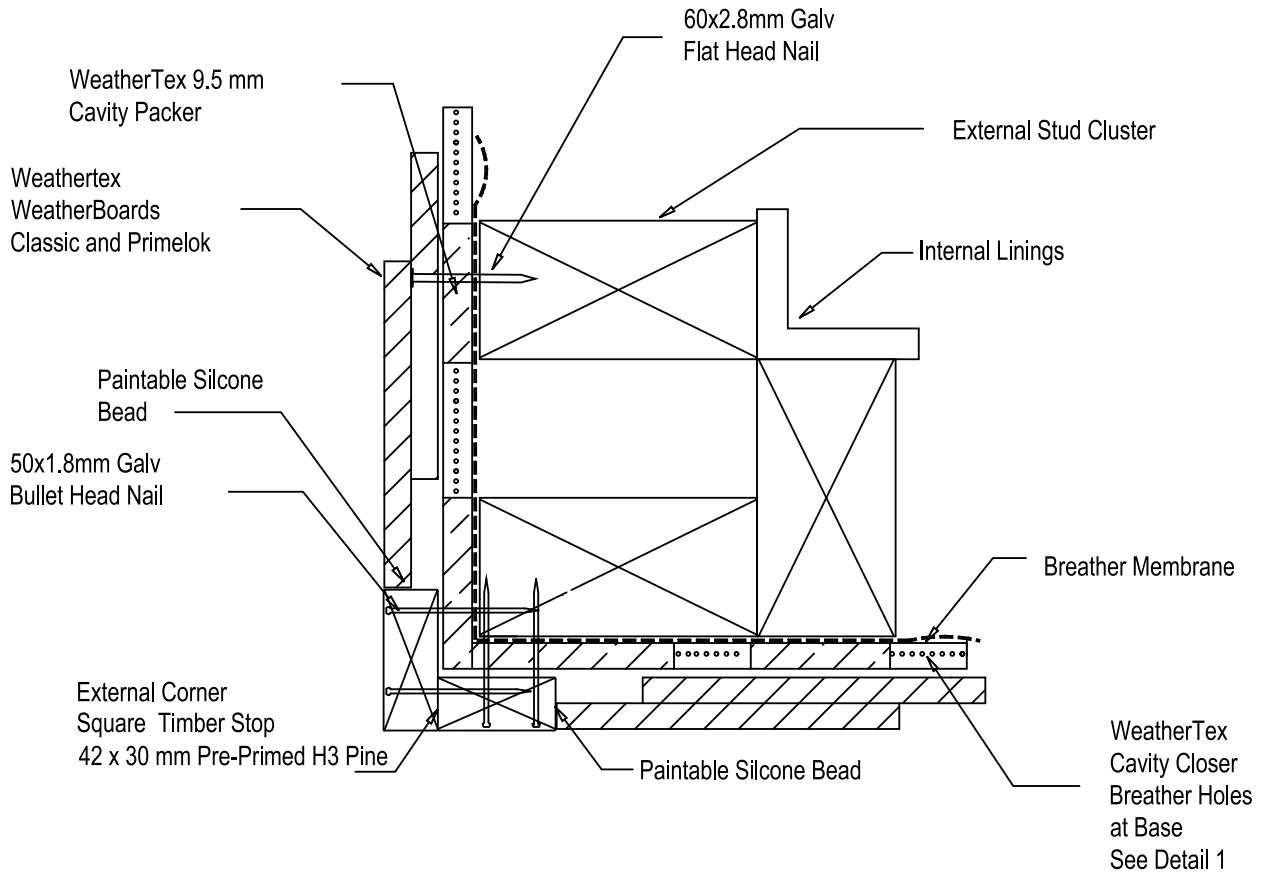


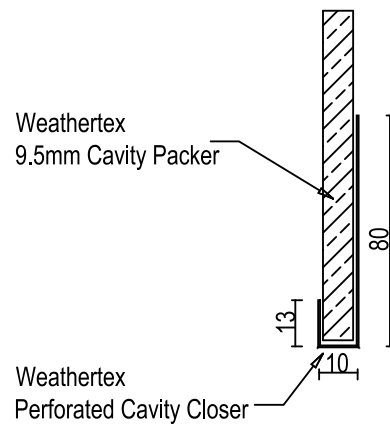
Timber Notes

All timber stops internal or external
Should be Pre-Primed H3 Pine

**DOUBLE TIMBER
EXTERNAL CORNER**



WeatherTex Products
Primelok Classic 200
Rusticated
Braidwood
Federation
Shadowood



Detail 1

WEATHERTEX

Project Description
WBCF-4

Drawing Name
**DOUBLE TIMBER
EXTERNAL CORNER**

**WeatherBoards
Cavity Fix Construction**

Drawn By
Craig Harvey

Checked By
Dave Simpson

Date
06-05-2013

Scale
NTS

Amm No
A